



## XP-9171-WES7/WP-9371-WES7/XP-9771-WES7

1/3/7-slot Metal Standard PAC with E3827 CPU and WES7

### Features

- Windows Embedded Standard 7 SP1 x86 (32-bit)
- Intel® Atom™ E3827 1.75 GHz
- 2 GB DDR3 SDRAM
- 32 GB SSD
- VGA / HDMI Display Output
- 2 10/100/1000M Ethernet Ports
- Redundant Power Input



### Introduction

The XP-9171-WES7/XP-9371-WES7/XP-9771-WES7 are WES7 based PACs that combine computing, I/O, and operator interface into a single unit, and provide the perfect solution for integrating HMI, data acquisition and control in an individual PAC. It is equipped with an Intel E3827 CPU, 1/3/7 I/O expansion slots and a variety of connectives including dual Gigabit Ethernet, VGA, USB port, RS-232 and RS-485 interface. Local I/O slots are available to use our I-9K and I-97K series I/O modules and remote I/O expansions are available to use our Ethernet I/O modules and RS-485 I/O modules.

Since WES7 has the same Win32 API as Windows 7, most popular applications on desktop can run on WES7 based Panel PC.

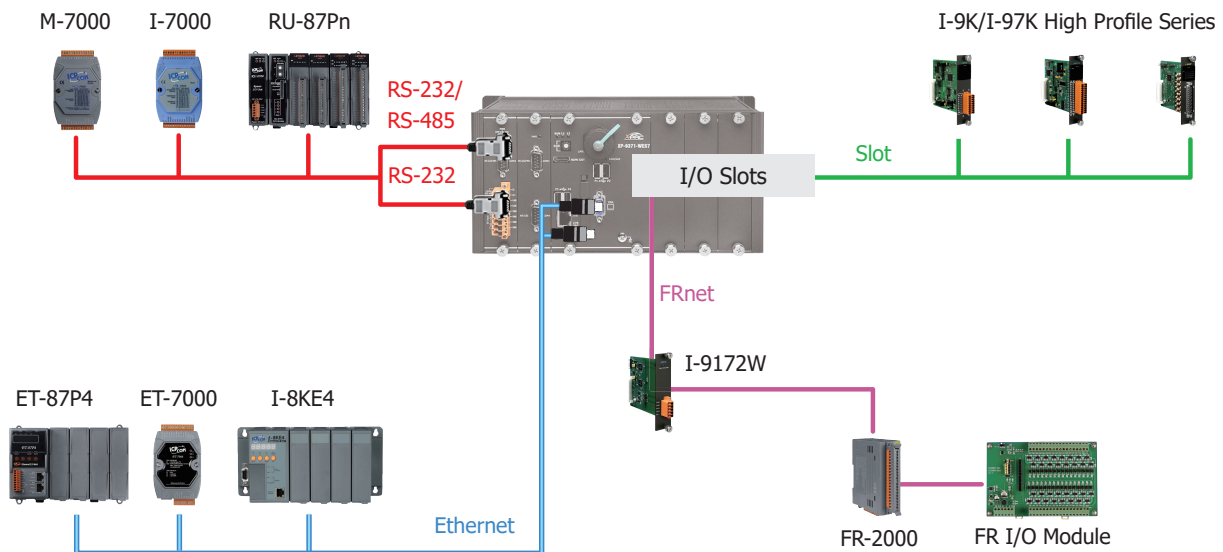
### Windows Embedded Standard 7.0



Most of the popular features in Windows software are included, such as EWF (Enhanced Write Filter), Remote Desktop Connection, IIS, ASP/ASP.NET, .NET Framework 4.5 and also supports rich development software solutions, such as VS 6.0, VS.NET, VB, Delphi, BCB, InduSoft.

- Full Win32 API
- Remote Desktop Protocol 5.1
- Silverlight 5
- Enhanced Write Filter
- .NET Framework 3.5, 4.0, 4.5, 4.7

### Applications

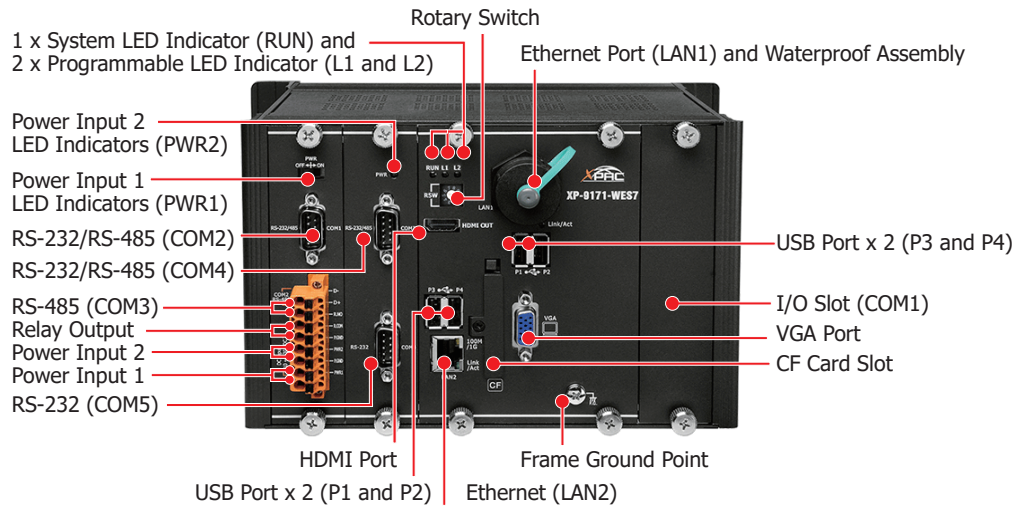


## Specifications

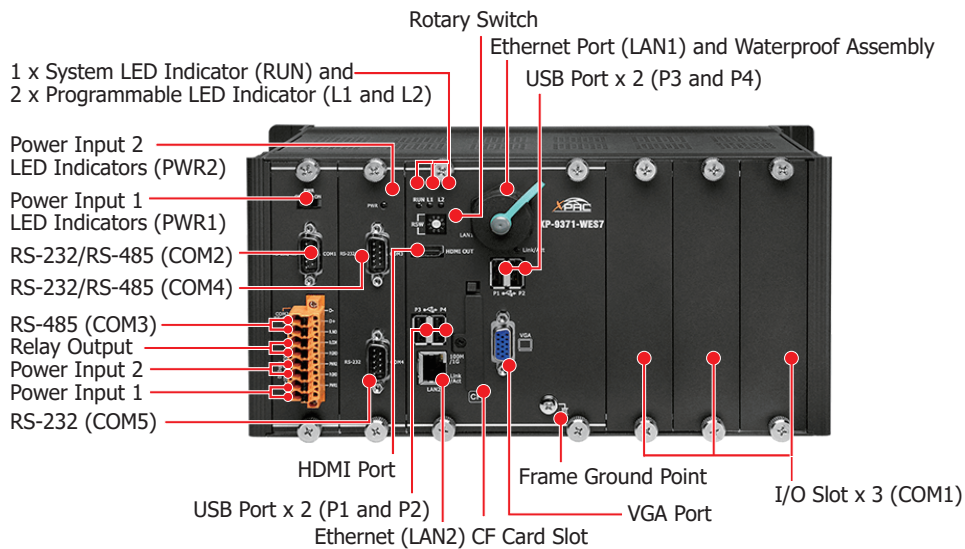
Model	XP-9171-WES7	XP-9371-WES7	XP-9771-WES7
<b>Software</b>			
OS	Windows Embedded Standard 7 SP1 x86 (32-bit)		
Service	IE11, FTP Server, IIS 7.0, ASP (Java Script, VB Script)		
Framework Support	.Net Framework 3.5, 4.0, 4.5, 4.7		
Multilanguage Support	English, German, French, Spanish, Portuguese, Russian, Italian, Korean, Japanese, Simplified Chinese, Traditional Chinese		
SDK Provided	DII for VC, DII for Visual Studio.Net		
<b>Main Unit</b>			
CPU	E3827, 1.75 GHz, 64-bit dual core		
64-bit Hardware Serial Number	Yes, for software copy protection		
System Memory	2 GB DDR3 SDRAM, 32 GB Flash		
Storage	32 GB SSD, 16 GB CF card		
Non-Volatile Memory	128 KB MRAM, 16 KB EEPROM		
Real Time Clock	Provide seconds, minutes, hours, dates, day of week, month, year		
Watchdog Timer	Dual Watchdog Timer		
<b>Display</b>			
Signal	VGA, HDMI		
Resolution	1280 x 1024 ~ 1920 x 1080 (16 : 9), 640 x 480 ~ 1024 x 768 (4 : 3)		
<b>LED Indicators</b>			
Status	1 x System, 2 x Power, 2 x Programmable		
<b>I/O Expansion</b>			
I/O Type	I-9K, I-97K series		
Slots	1	3	7
<b>COM Ports</b>			
Ports	1 x RS-232 (3000 VDC Isolated), 1 x RS-485 (3000 VDC Isolated), 2 x RS-232/RS-485 (3000 VDC Isolated)		
<b>HMI</b>			
Buzzer	Yes		
Rotary Switch	1 x 10 Position (0 ~ 9)		
<b>Ethernet</b>			
Ports	2 x RJ-45, 10/100/1000 Base-TX		
<b>USB</b>			
Ports	4 x USB 2.0		
<b>Power</b>			
Capacity	3.7 A, 5 V supply to CPU and backplane, 3.3 A, 5 V supply to I/O expansion slots, 35 W in total	3.8 A, 5 V supply to CPU and backplane, 3.2 A, 5 V supply to I/O expansion slots, 35 W in total	4.0 A, 5 V supply to CPU and backplane, 3.0 A, 5 V supply to I/O expansion slots, 35 W in total
Input Range	+10 ~ 30 VDC (1 kV Isolated )		
Redundant Power Inputs	Yes, with one power relay (1 A @ 24 VDC) for alarm		
Consumption	16.6 W (0.69 A @ 24 VDC)	16.8 W (0.7 A @ 24 VDC)	18 W (0.75 A @ 24 VDC)
<b>Mechanical</b>			
Dimension (W x L x H)	239 x 164 x 133 mm	300 x 164 x 133 mm	422 x 164 x 133 mm
Installation	DIN-Rail, Wall mounting		
<b>Environmental</b>			
Operating Temperature	-25 ~ +75 °C		
Storage Temperature	-30 ~ +80 °C		
Humidity	10 ~ 90 % RH (non-condensing)		

## Appearance

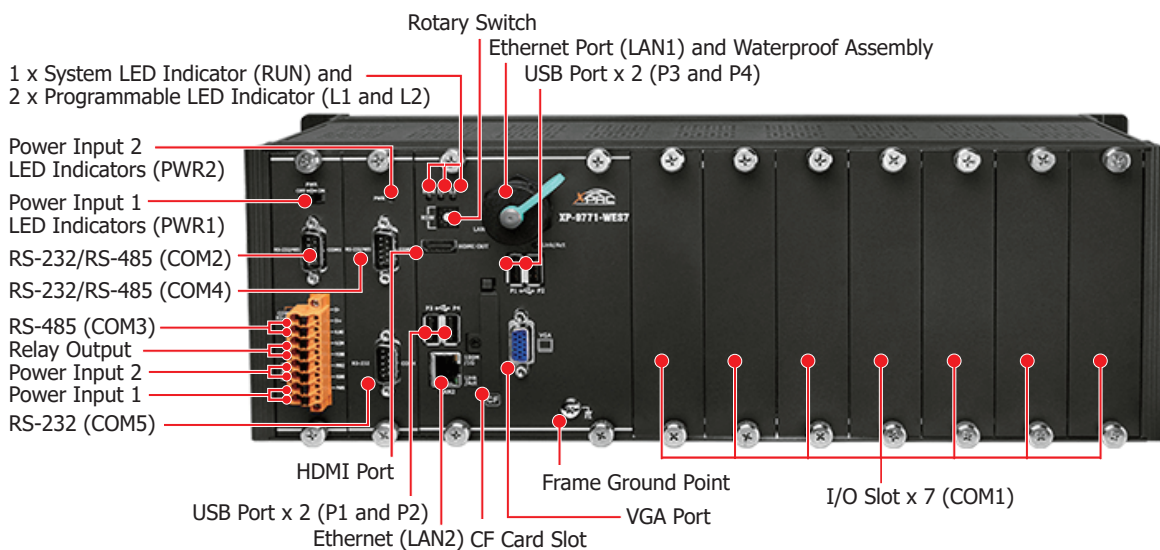
### XP-9171-WES7



### XP-9371-WES7

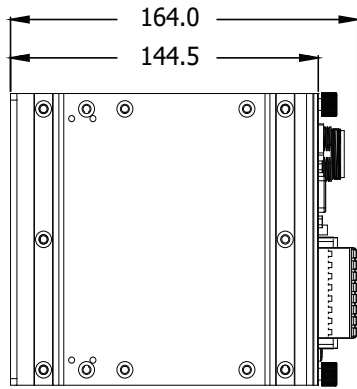


### XP-9771-WES7



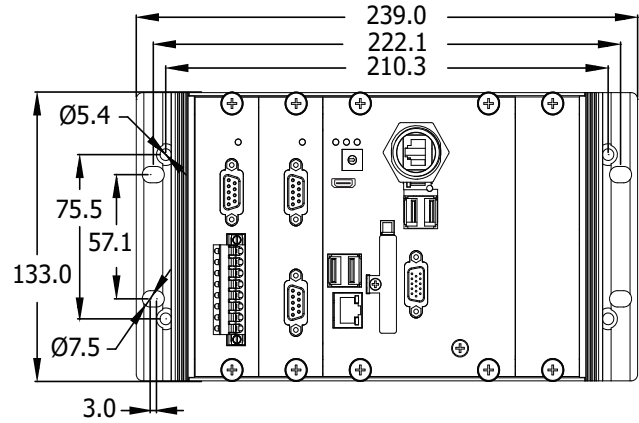
## ■ Dimensions (Units: mm)

**XP-9171-WES7/XP-9371-WES7/XP-9771-WES7**



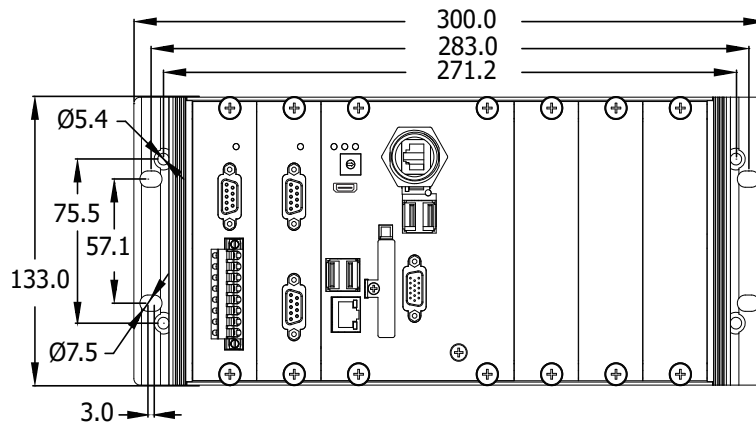
Left Side View

**XP-9171-WES7**



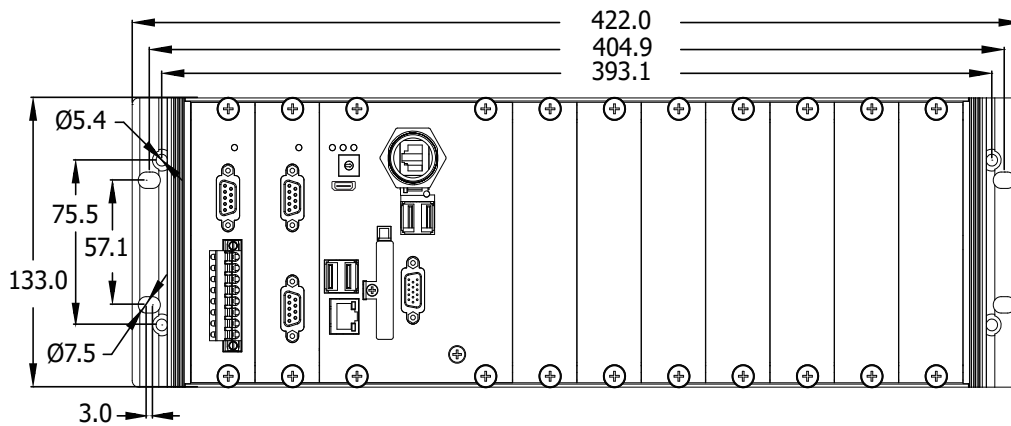
Front View

**XP-9371-WES7**



Front View

**XP-9771-WES7**



Front View

## ■ Ordering Information

<b>XP-9171-WES7 CR</b>	1-slot Metal Standard PAC with E3827 CPU and WES7 (RoHS)
<b>XP-9371-WES7 CR</b>	3-slot Metal Standard PAC with E3827 CPU and WES7 (RoHS)
<b>XP-9771-WES7 CR</b>	7-slot Metal Standard PAC with E3827 CPU and WES7 (RoHS)